



COMPRESSED AIR PREPARATION
FILTER PESSURE REGUALTEROS



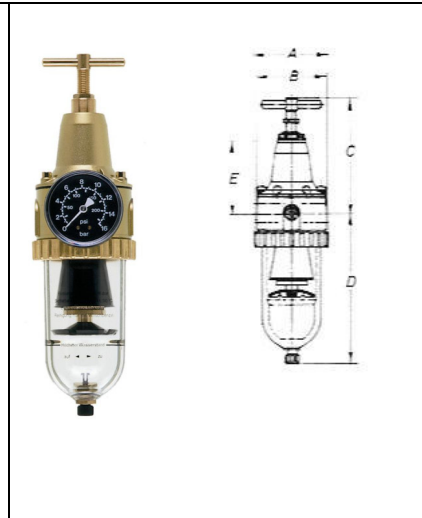
TYPE: ET-3.1

Compressed air filter and pressure regulator combined in one piece of equipment. The purified compressed air is kept at constant pressure regardless of fluctuations in the system or in the air consumption. This equipment provides secondary air exhaust (relieving) and almost complete independence of primary pressure. Diaphragm regulator with working pressure ranges from 0,5 to 6, 10 or 16 bar. operation by toggle or hand wheel. Special models also available (for example without air exhaust) upon request. Gauge can be mounted on the front or back.

Part sizes: G¹/₈ to G¹/₂.

Dimensions (For Example):

MEDIUM G¹/₂: A=87 / B= 82 / C = 134 / D = 172 / E=87



TWO-PIECE MAINTENANCE UNITS

TYPE: ET-3.2

A maintenance unit consistin of a filterpressure regulator and lubricator with a double nipple. Can be cominded ith additional equipment to make other variators.

Port sizes G¹/₈ to G¹/₂

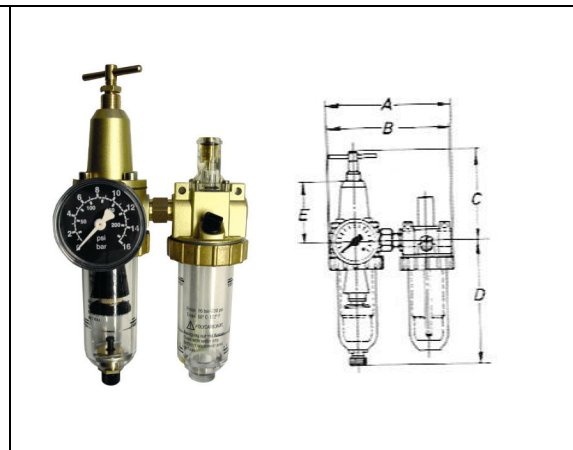
Dimensions (For Example):

MEDIUM G¹/₂:

A=182 / B = 176 / C = 134 / D = 172 / E=87

SMALL G³/₈:

A=124 / B = 122 / C = 99 / D = 131 / E=67



THREE-PIECE MAINTENANCE UNITS

TYPE: ET-3.3

Maintenance unit consisting of a filter, a pressure regulator and lubricator with a double nipple. Numerous variations are possible by combining with other pieces of equipment.

Port sizes G¹/₈ to G¹/₂

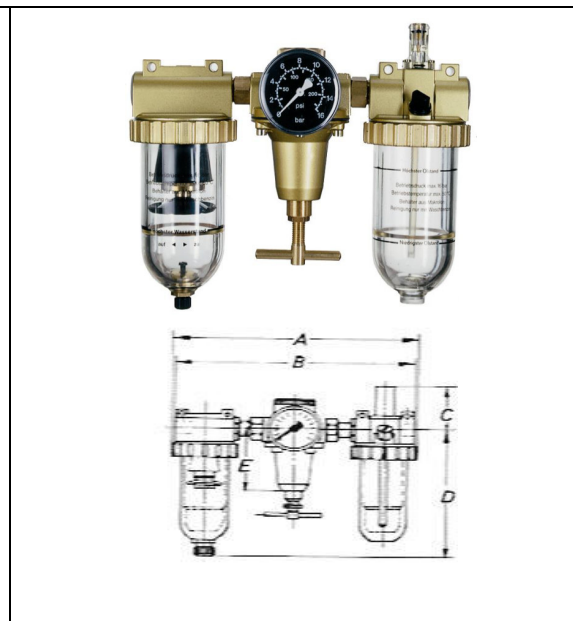
Dimensions (For Example):

MEDIUM G¹/₂:

A=281 / B = 274 / C = 55 / D = 172 / E=85

SMALL G³/₈:

A=196 / B = 197 / C = 51 / D = 135 / E=67



**DESIGN SMALL**

| TECHNICAL DATA | ET-3.1 | ET-3.2 | ET-3.3 |
|---|--------------------|--|--|
| Nominal rates of flow | 910 NI/min. | 580 NI/min | 500 NI/min. |
| min. flow rate | | 50 NI/min. | 50 NI/min. |
| Max. inlet pressure: plastic bowl / metal bowl | 16 bar 25 bar | 16 bar 25 bar | 16 bar 25 bar |
| Operating temperature: plastic bowl metal bowl | 0°C+50° 0°C+90° | 0°C+50° 0°C+90° | 0°C+50° 0°C+90° |
| Effective bowl volume Filter bowl / lubricator bowl (2and 3) | 25 cm ³ | 25 cm ³ / 40 cm ³ | 25 cm ³ / 40 cm ³ |
| Mounting position | Vertical | Vertical | Vertical |
| Direction of flow | arrow | arrow | arrow |
| Nominal width | DN 6 | DN 6 | DN 6 |
| Nominal pressure (hosing) | PN 25 | PN 25 | PN 25 |
| Dependence upon supply pressure | < 3% | < 3% | < 3% |
| Reversing control hysteresis | 1 bar | 1 bar | 1 bar |

DESIGN MEDIUM

| TECHNICAL DATA | ET-3.1 | ET-3.2 | ET-3.3 |
|---|--------------------|---|---|
| Nominal rates of flow | 2600 NI/min. | 1830 NI/min | 1830 NI/min |
| min. flow rate | | 117 NI/min. | 117 NI/min. |
| Max. inlet pressure: plastic bowl metal bowl | 16 bar 25 bar | 16 bar 25 bar | 16 bar 25 bar |
| Operating temperature: plastic bowl metal bowl | 0°C+50° 0°C+90° | 0°C+50° 0°C+90° | 0°C+50° 0°C+90° |
| Effective bowl volume Filter bowl / lubricator bowl (2and 3) | 80 cm ³ | 80 cm ³ / 135 cm ³ | 80 cm ³ / 135 cm ³ |
| Mounting position | Vertical | Vertical | Vertical |
| Direction of flow | arrow | arrow | arrow |
| Nominal width | DN 15 | DN 15 | DN 15 |
| Nominal pressure (hosing) | PN 25 | PN 25 | PN 25 |
| Dependence upon supply pressure | < 2% | < 2% | < 2% |
| Reversing control hysteresis | 1 bar | 1 bar | 1 bar |

ASK FOR MORE DETAILS, ACCESSORIES OR AUTOGENOUS-PROPANE